

# TURNALL ECOTILE

A new attractive light weight Tile



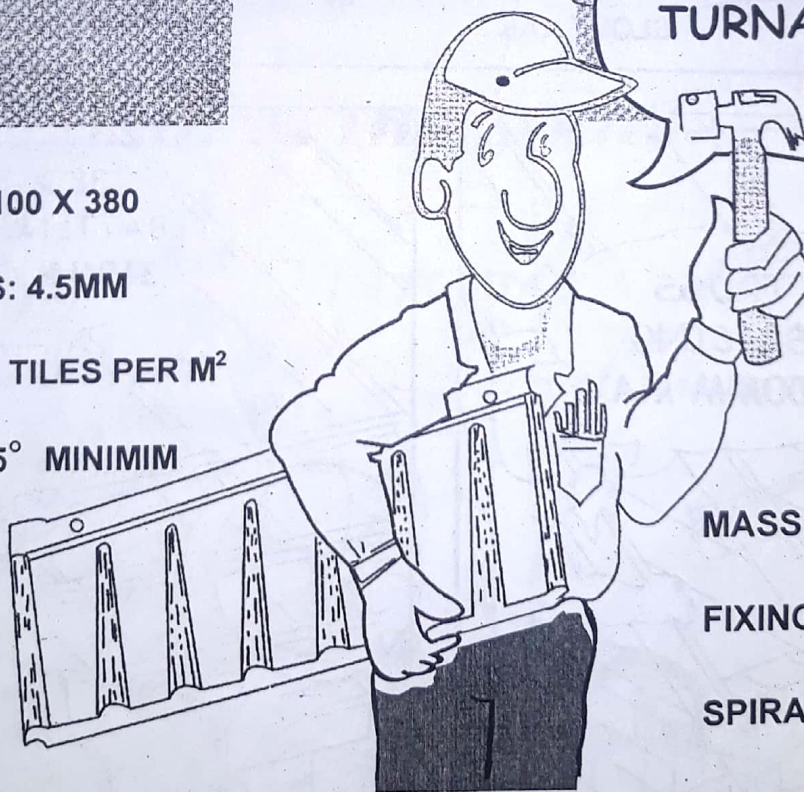
ITS SO EASY  
TO FIT A  
TURNALL ECOTILE  
ROOF!

LENGTH: 1100 X 380

THICKNESS: 4.5MM

COVER: 3.1 TILES PER M<sup>2</sup>

PITCH : 17.5° MINIMIM



MASS: 4.02KG PER TILE

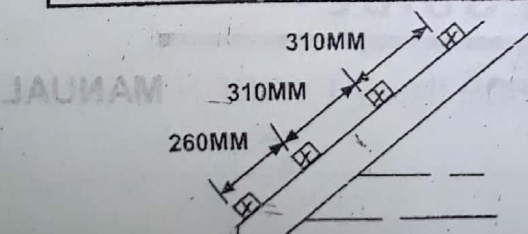
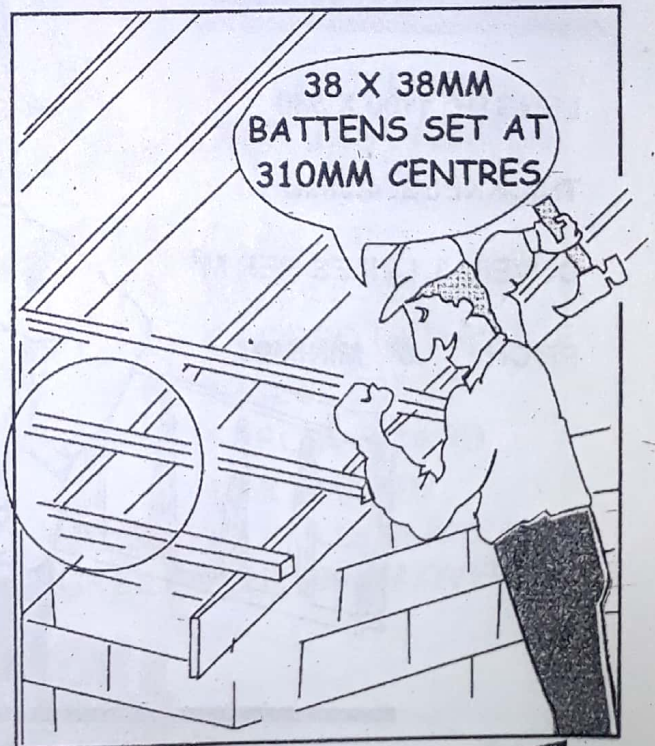
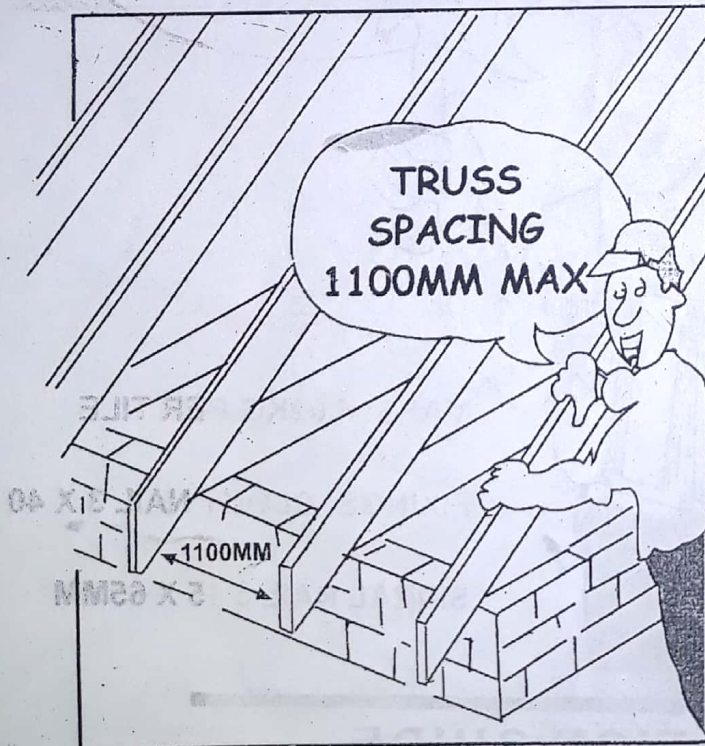
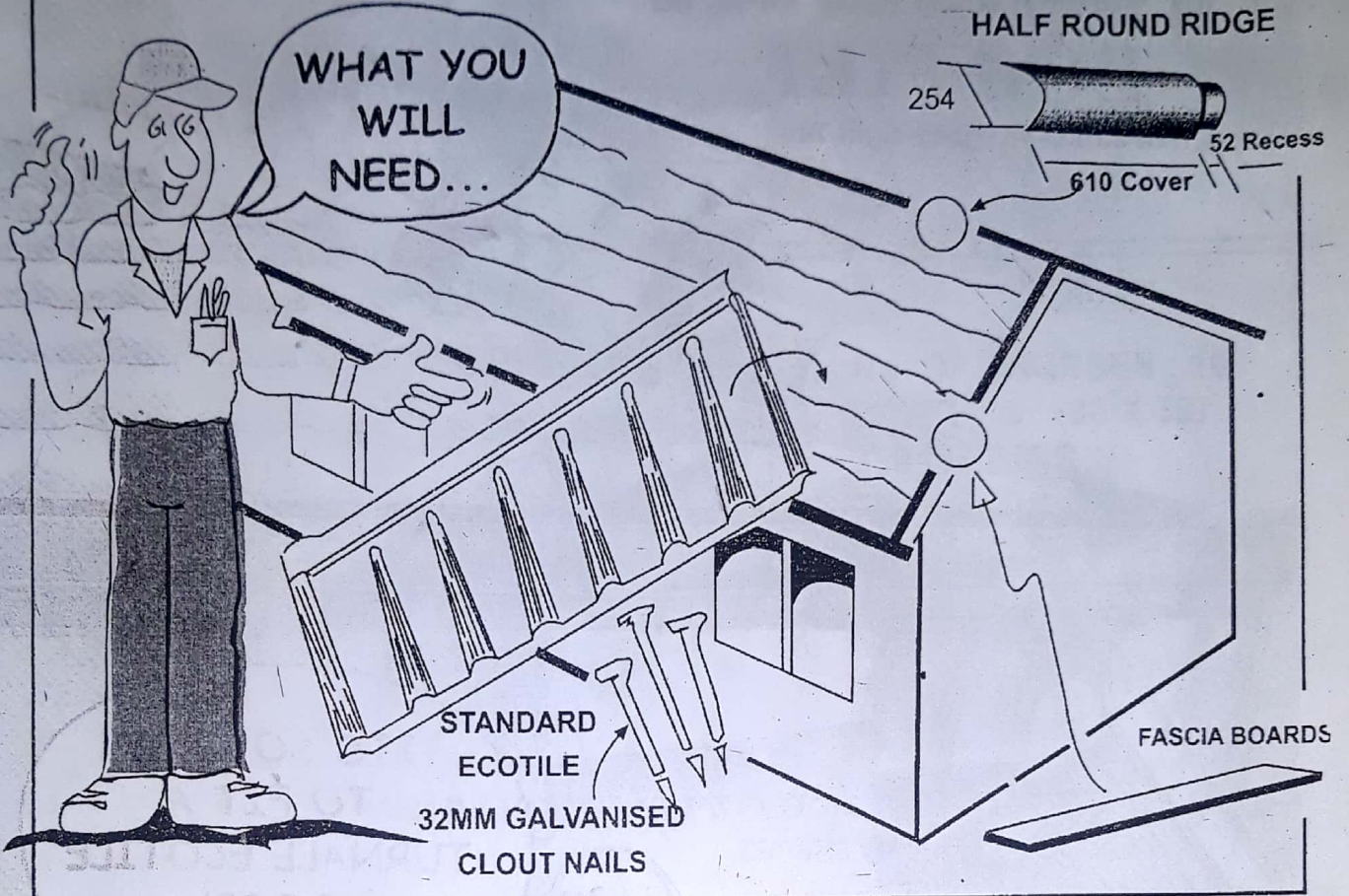
FIXINGS: CLOUT NAIL 3 X 40

SPIRAL NAIL 3.15 X 65MM

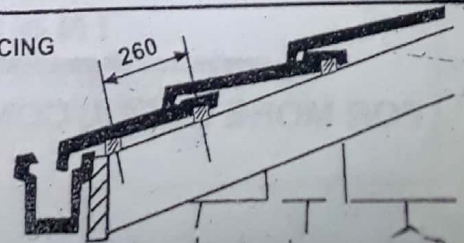
## INSTALLATION GUIDE

FOR MORE DETAIL CONSULT THE ECOTILE INSTALLATION MANUAL

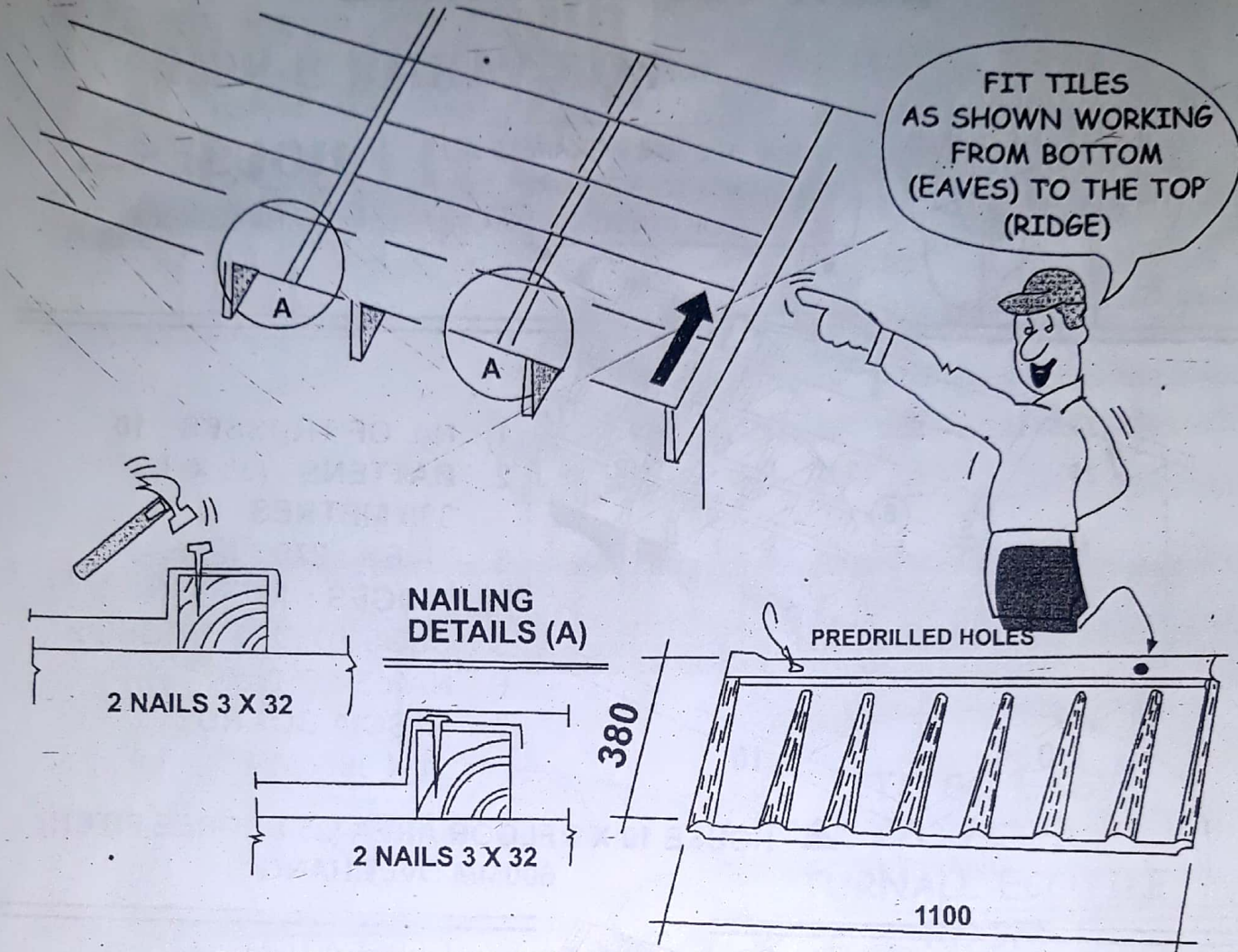
# THE ROOFING SYSTEM...



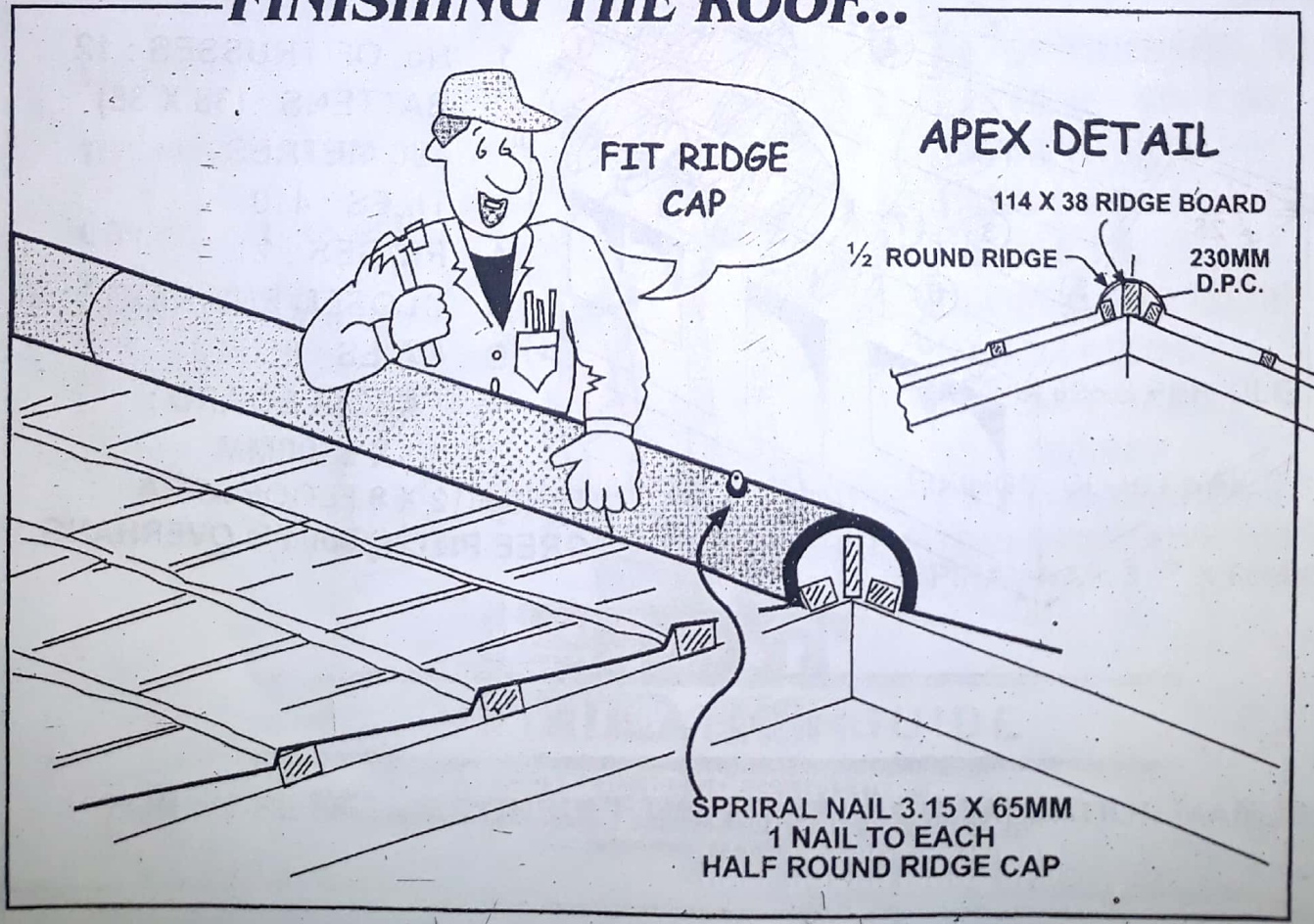
NOTE THE BATTEN SPACING AT THE EAVES TO ALLOW FOR GUTTER OVERHANG



FIT TILES AS SHOWN WORKING FROM BOTTOM (EAVES) TO THE TOP (RIDGE)



**FINISHING THE ROOF..**



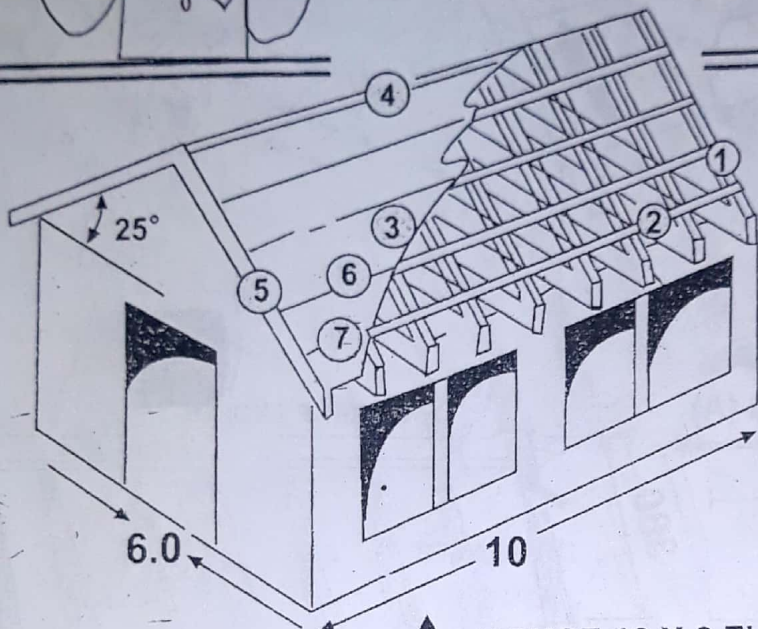
# WHAT YOU WILL NEED

## FOR VARIOUS SIZE

## HOUSES...

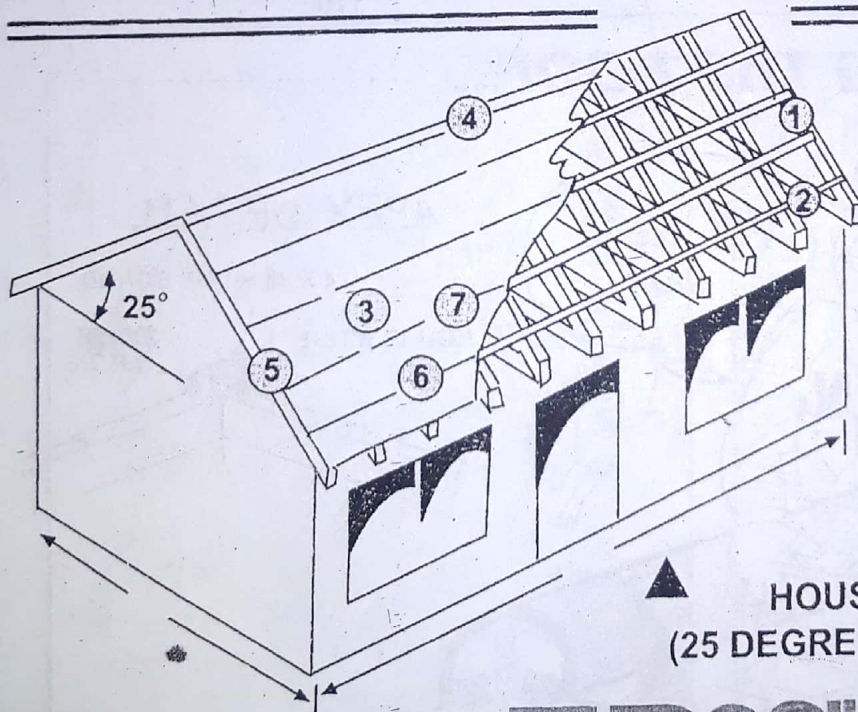


THESE ARE ONLY EXAMPLES  
REMEMBER TO MEASURE  
YOUR ROOF FIRST!



1. No. OF TRUSSES : 10
2. BATTENS : (38 X 38)  
330 METRES
3. TILES : 270
4. RIDGES : 18
5. CLOSED END RIDGE : 2
6. NAILS : 560/20
7. FASCIA BOARD :  
11 X 3600MM

▲ HOUSE 10 X 6 FLOOR AREA (25 DEGREE PITCH)  
600MM OVERHANG



1. No. OF TRUSSES : 12
2. BATTENS : (38 X 38)  
490 METRES
3. TILES : 410
4. RIDGES : 21
5. CLOSED END RIDGE : 2
6. NAILS : 850/25
7. FASCIA BOARD :  
13 X 3600MM

▲ HOUSE 12 X 8 FLOOR AREA  
(25 DEGREE PITCH) 600MM OVERHANG

# TURNALL FIBRE CEMENT

Turnall Head Office: 5 Glasgow Road, P.O. Box 3985, Harare, Zimbabwe  
Tel: +263-4-754625-9, +263-4-755474-9, Fax: +263-4-757140,  
Turnall Bulawayo: Steelworks Road, P.O. Box 1753, Bulawayo, Zimbabwe  
Tel: +263-9-882230-7, Fax: +263-9-882238-9, E-mail: [customer@turnall.co.zw](mailto:customer@turnall.co.zw)  
Website: [www.turnall.co.zw](http://www.turnall.co.zw)